

PHA60-D is an phantom power adapter for pole to connect Wisycom wireless transmitter MTP60 to a wired microphone (ie a shotgun).




This adapter provides the stabilized voltage and a high quality insulation transformer in a small form factor suitable to be plugged directly on the MIC.

Thanks to the felt hook it allows a stable and safe fixing on **poles from 25 to 40 mm**.

Quick fastening system using the MTP60 belt clip



ACCESSORIES & RELATED



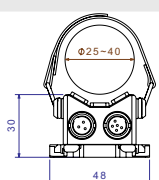
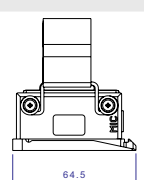


Item: CAL48S
Audio cable to connect MTP60 to PHA60, 27 cm
LEMO 3pin to mini XLR 5pin Female



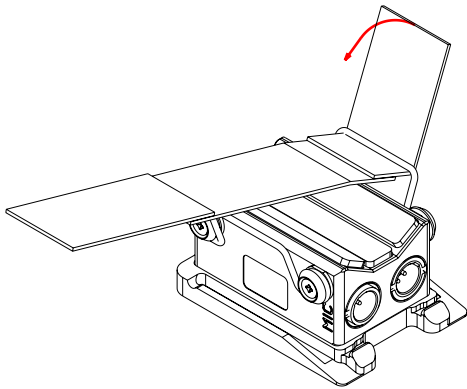
Item: BCLW60
Wire belt clip for MTP60

TECHNICAL SPECIFICATIONS

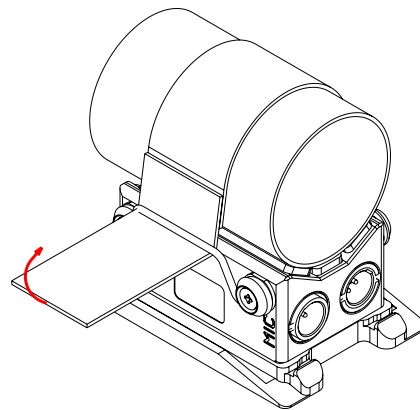
SPECIFICATIONS	Audio connector	<p>mini XLR-5M</p>  <p>[1] GND [2] AF- [3] AF+ [4] VDC [5] GND</p>	<p>mini XLR-3M</p>  <p>[1] GND [2] Hot + [3] Cold -</p>
	Pole diameter	from 25 to 40 mm	
	Phantom power	41 ± 2V @ 5 mA (set MIC mode PHA60-48 on MTP60), PHA60 and PHA60-D 12 ± 2V @ 5 mA (set MIC mode PHA60-12 on MTP60), PHA60-D only	
	Power supply	3 Vdc	
	Weight	92 g	
Dimensions	64,5 x 48 x 30 mm (HxWxD)		 



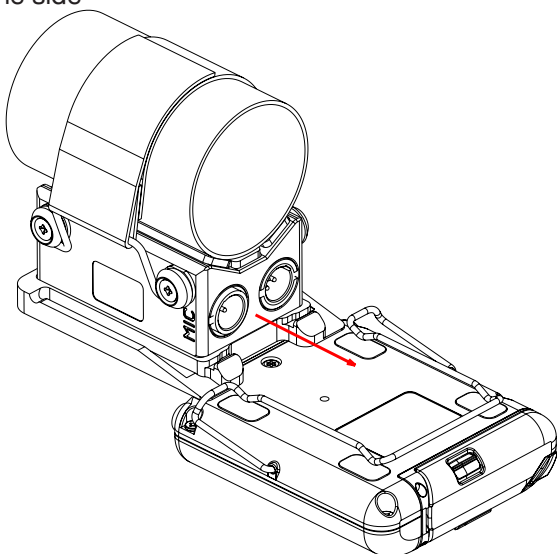
MOUNTING INSTRUCTION



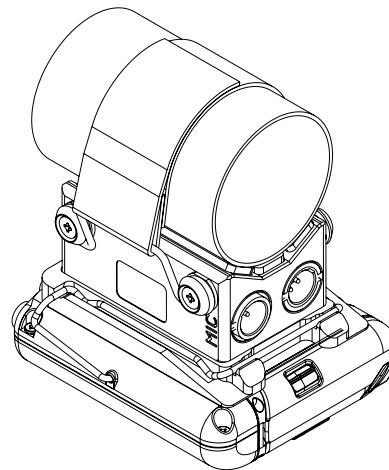
1. insert the felt on the first spring and fix the felt on one side



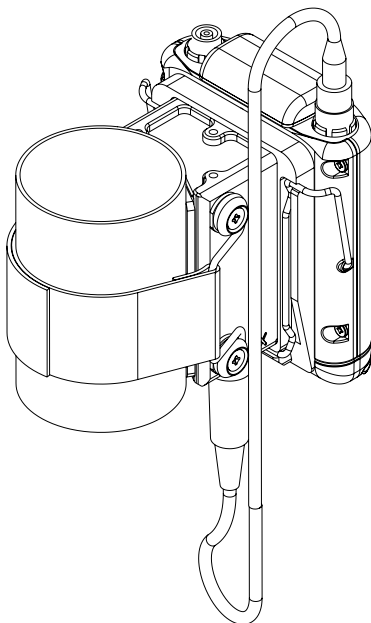
2. pass the felt around the pole and secure it on the other end



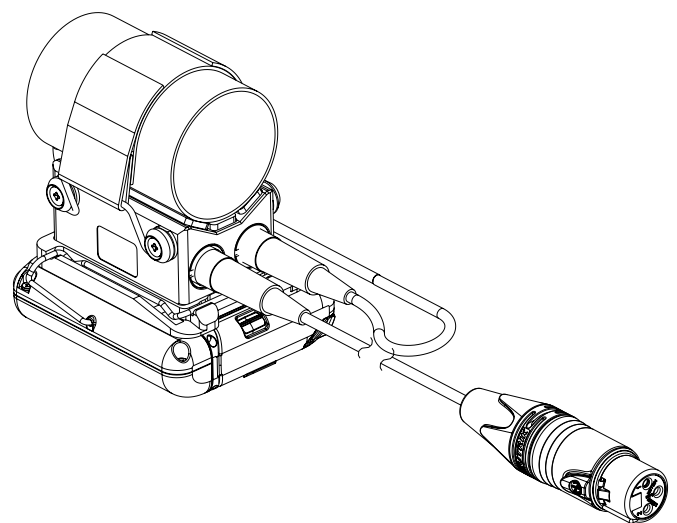
3. mount the MTP60 fixing it with the clip as shown in the figure



4. make sure it is stable and pull the felt harder if necessary



5. connect the CAL48S cable from the LEMO connector of the MTP60 to the TX connector (TA5) of the PHA60



6. connect the audio cable from the MIC connector (TA3) of PHA60 to the microphone/shotgun