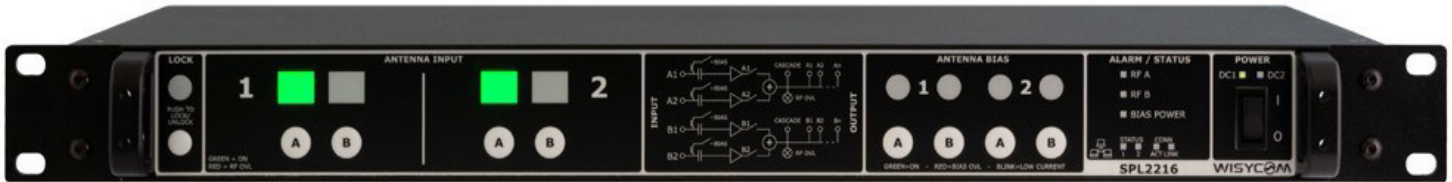




## SPL2216/SPL2208 ACTIVE COMBINER/SPLITTER

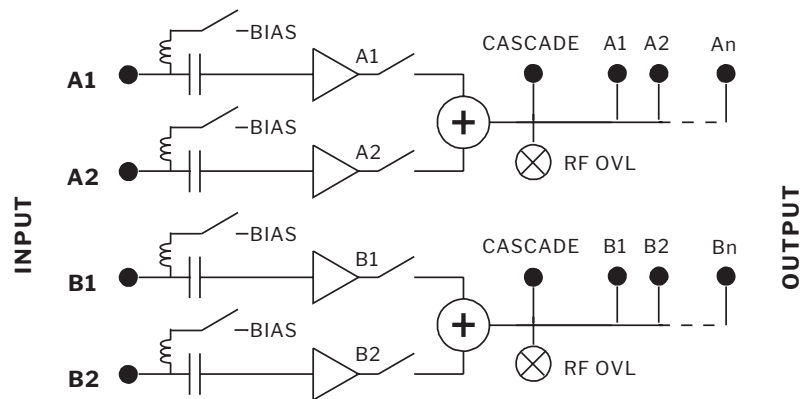


**SPL2216/SPL2208** is an active combiner/splitter: 2 x 2 (diversity) inputs are combined and then distributed to 16 x 2 diversity outputs (SPL2216) or 8 x 2 diversity outputs (SPL2208). It allows a basic matrix-selection between 2 diversity areas in which each input feed can be activated with a button on the front panel.

Controllable and Switchable (2) Inputs per side and (16/8) Outputs per side.

### Benefits:

- Maximum combining/ splitting flexibility in rack-mounted wireless mic receiver applications.
- Twice the outputs of any existing receive multi-couplers.
- Switching inputs enables coverage for two receive zones or combining multiple MAT288 units



## MAIN FEATURES

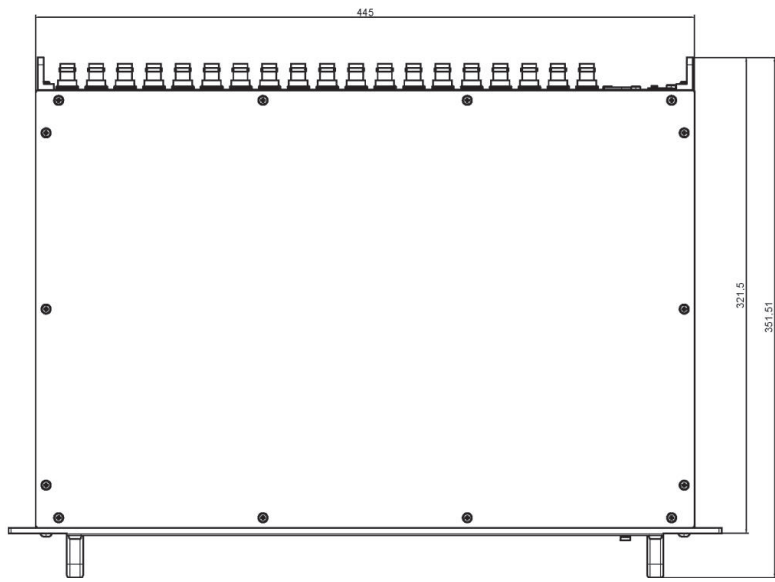
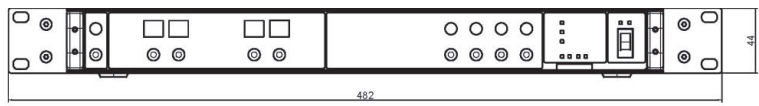
- Wideband frequency range of 170-1240 MHz
- Feed up to 16 diversity receivers (SLP2216), 8 diversity receivers (SPL2208)
- Redundant DC supply
- Bias power for antennas
- Onboard antennas diagnostics
- Remote functions and monitoring via ethernet connection to a PC with Wisycom Wireless Manager
- High RF robustness and linearity: for use with high-density equally spaced frequencies (i.e. with MTP 40 Linear)
- Combine / Select signals from 4 antenna inputs
- Uses Wisycom Remote Antenna Protocol to control antennas (LFA)/ boosters (BFA) remotely via coax
- Cascade connectors for linking to another SPL2216/ SPL2208 or monitor devices

Subject to change without notice 



### TECH SPECS

Frequency ranges	170 ÷ 1260 MHz
Input/output gain	+5dB approx.
Input/cascade gain	+1.5dB approx.
Amplifier linearity	± 1 dB (typical)
Noise figure	7,5 dB
Antenna booster powering	+12Vcc / 500mA MAX (for each BNC-female input connector A & B)
Connector	input: 2+2 BNC-F output: 16+16 BNC-F (SPL2216) 8+8 BNC-F (SPL2208) cascade: 2 BNC-F
Impedance	50 Ω
Managing interface	10/100 Base TX Ethernet port and thru frontal tactile buttons
Power supply	10÷ 28 Vdc, 5A max, redundant DC Vdc1 and Vdc2 on XLR M-4pin 1: -Vdc1 2: +Vdc2 3: Vdc2 4: +Vdc1
Power consumption	40W max
Temperature range	-25 ÷ +55 °C
Material	aluminum black varnish
Finishing Dimensions	44 x 483 x 351 mm (HxWxD)
Weight	44 x 483 x 351 mm (HxWxD) 3 kg



Subject to change without notice

**Wisycom USA**  
5228 Eisenhower Avenue  
Alexandria, Virginia 22304  
+1 (888) WISYCOM  
+1 (888) 947-9266

**WisycomUSA.com**  
**Sales@WisycomUSA.com**

**Wisycom Srl**  
Via Tiepolo, 7/E  
35019 Tombolo (PD) – Italy  
+39 0424 382605  
Fax. +39 0424 382733