



## MAT288 PROGRAMMABLE MATRIX/COMBINER



The **MAT288** is a programmable RF Matrix Combiner designed for applications in which multiple zones of diversity antennas are routed to feed wireless audio receivers.

### Configurations:

- 8:1 Diversity Combiner with 6dB gain
- 8:4 Diversity Combiner with 0dB gain
- 2x 4:2 Diversity Combiners



### Benefits:

#### Most cost-efficient system design for multi-zone applications by:

- Utilizing antenna network rather than duplicating wireless receiver per zone
- Minimizing complementary equipment and simplifying signal flow (console inputs, signal processors, cables)

#### Use front-panel control or comprehensive antenna networking from a single Wisycocom Manager interface:

- Monitor and adjust antenna power, gain and filters via network of combiners, splitters and fiber links
- Control interconnected wireless microphone receivers and rack IEM/IFB transmitters
- Monitor wireless microphone transmitter and IEM/IFB receiver telemetry such as RF signal strength and batteries

### MORE FEATURES

- Program, control, and monitor warning and alarm indications via front panel controls or remotely
- Remote operation via Ethernet 10/100 base and Wisycocom Manager software
- Wide bandwidth operation (150 MHz-1160 MHz, MAT288X1 version)
- Standard AC power and optional, redundant DC power (4-pin XLR, 10-28VDC)
- 12V power per input for active antennas (controllable via front panel toggle)
- Additional current available at diversity Input Ports 1 and 5 (12V/800mA)
- Attenuators per input, adjustable via front panel menu or remotely (.5 dB increments)
- Voltage and current monitoring per input with warning / alarm LED and notifications
- Remotely control active antenna functions (gain, bandwidth, filters) with bidirectional data link thru coax
- Program custom names for 8 zone inputs onboard or remotely

Subject to change without notice

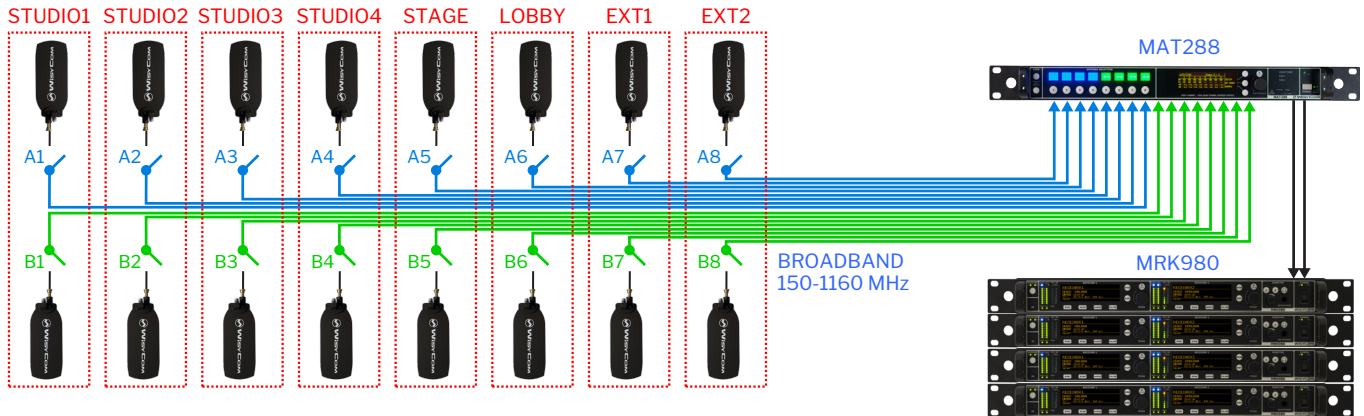
**Wisycocom USA**  
5228 Eisenhower Avenue  
Alexandria, Virginia 22304  
+1 (888) WISYCOM  
+1 (888) 947-9266

**WisycocomUSA.com**  
**Sales@WisycocomUSA.com**

**Wisycocom Srl**  
Via Tiepolo, 7/E  
35019 Tombolo (PD) – Italy  
+39 0424 382605  
Fax. +39 0424 382733



### APPLICATION EXAMPLE



### TECH SPECS

<b>Power:</b>	AC connector 90±264Vac / T2A, 47÷63Hz DC connector 10± 28 VDC (fuse protected) 12A max (optional) Max power consumption 120W
<b>Operational frequency range:</b>	150 - 840 MHz (MAT288), 150 ÷ 960 MHz (MAT288X), 150-1160 MHz (MAT288X1)
<b>Amplifier linearity:</b>	+/- 1 dB (typical)
<b>“A” / “B” antenna inputs:</b>	8+8 BNC type connector
<b>RF outputs:</b>	8 BNC type connectors
<b>Impedance:</b>	50 ohm
<b>Input/output Gain:</b>	6 dB (Combiner 8:1), OIP3=30dBm typ 0 dB (Combiner 8:4), OIP3=24dBm typ 6 dB (2 Combiners 4:2), OIP3=30dBm typ
<b>Noise Figure:</b>	5.5dB (each channel)
<b>Active antenna powering</b>	12Vcc / 800mA MAX.(ports 1A, 1B and 5A, 5B) +12Vcc / 230mA MAX.(other ports)
<b>Remote control / monitoring interface:</b>	10/100 Base TX Ethernet port
<b>Display:</b>	64 x 256 OLED (yellow)
<b>Dimensions:</b>	Standard rack (aluminum) 19" / 1U.
<b>Weight:</b>	4.4 Kg

Subject to change without notice