



MAT244 PROGRAMMABLE MATRIX/COMBINER



The **MAT244** is a programmable RF Matrix Combiner designed to route RF/antennas to wireless audio receivers for multi-zone production applications.

Configurations:

- 4:2 Diversity Combiner with 7dB gain
- 8:4 Non-diversity Combiner
- 8:1 Non-diversity Combiner with 7dB gain



Benefits:

Most cost-efficient system design for multi-zone applications by:

- Utilizing antenna network rather than duplicating wireless receiver per zone
- Minimizing complementary equipment and simplifying signal flow (console inputs, signal processors, cables)

Use front-panel control or comprehensive antenna networking from a single Wisycocom Manager interface:

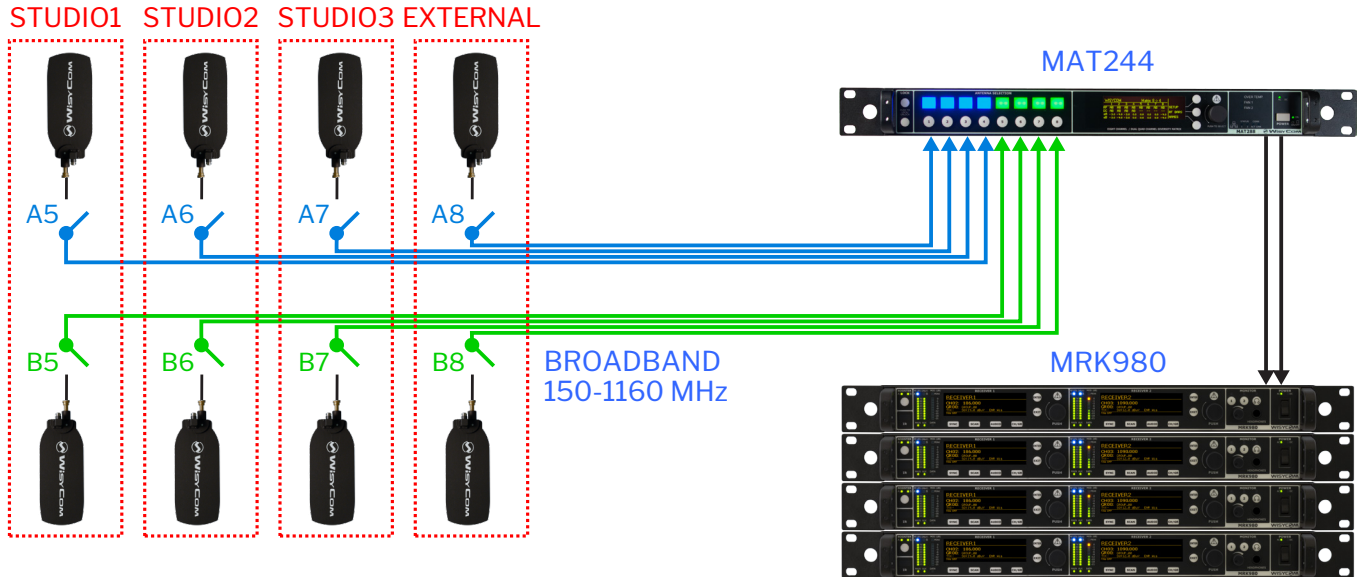
- Monitor and adjust antenna power, gain and filters via network of combiners, splitters and fiber links
- Control interconnected wireless microphone receivers and rack IEM/IFB transmitters
- Monitor wireless microphone transmitter and IEM/IFB receiver telemetry such as RF signal strength and batteries

MORE FEATURES

- Program, control, and monitor warning and alarm indications via front panel controls or remotely
- Remote operation via Ethernet 10/100 base and Wisycocom Manager software
- Wide bandwidth operation (150 MHz-1160 MHz, MAT244X1 version)
- 12V power per input for active antennas (controllable via front panel toggle)
- Additional current available diversity ports 1a and 1b or non-diversity ports 1 and 5 (12V/800mA)
- Attenuators per input, adjustable via front panel menu or remotely (.5 dB increments)
- Voltage and current monitoring per input with warning / alarm LED and notifications
- Remotely control active antenna functions (gain, bandwidth, filters) with bidirectional data link thru coax
- Program custom names for 8 zone inputs onboard or remotely

Subject to change without notice

APPLICATION EXAMPLE



TECH SPECS

Power:	AC 90±264Vac / T2A, 47±63Hz
Operational frequency range:	150 - 840 MHz (MAT244), 150 - 960 MHz (MAT244X), 150 - 1160 MHz (MAT244X1)
Amplifier linearity:	+/- 1 dB (typical)
"A" / "B" antenna inputs:	8 BNC type connectors
Antenna outputs:	4 BNC type connectors
Impedance:	50 ohms
Input/output gain:	7 dB (Combiner 8:1), OIP3=30dBm typ. 0 dB (Combiner 8:4), OIP3=24dBm typ. 7 dB (Combiner 4:2), OIP3=30dBm typ.
Noise Figure:	5.5dB (each channel)
Active antenna powering:	+12Vcc / 800mA MAX for ports 1A, 1B [2x4:2 conf] or for ports 1, 5 [8:1, 8:4 configurations] +12Vcc / 230mA MAX (other ports)
Remote control / monitoring interface:	10/100 Base TX Ethernet port
Display:	64 x 256 OLED (yellow)
Dimensions:	Standard rack (aluminum) 19" / 1U.

Subject to change without notice 