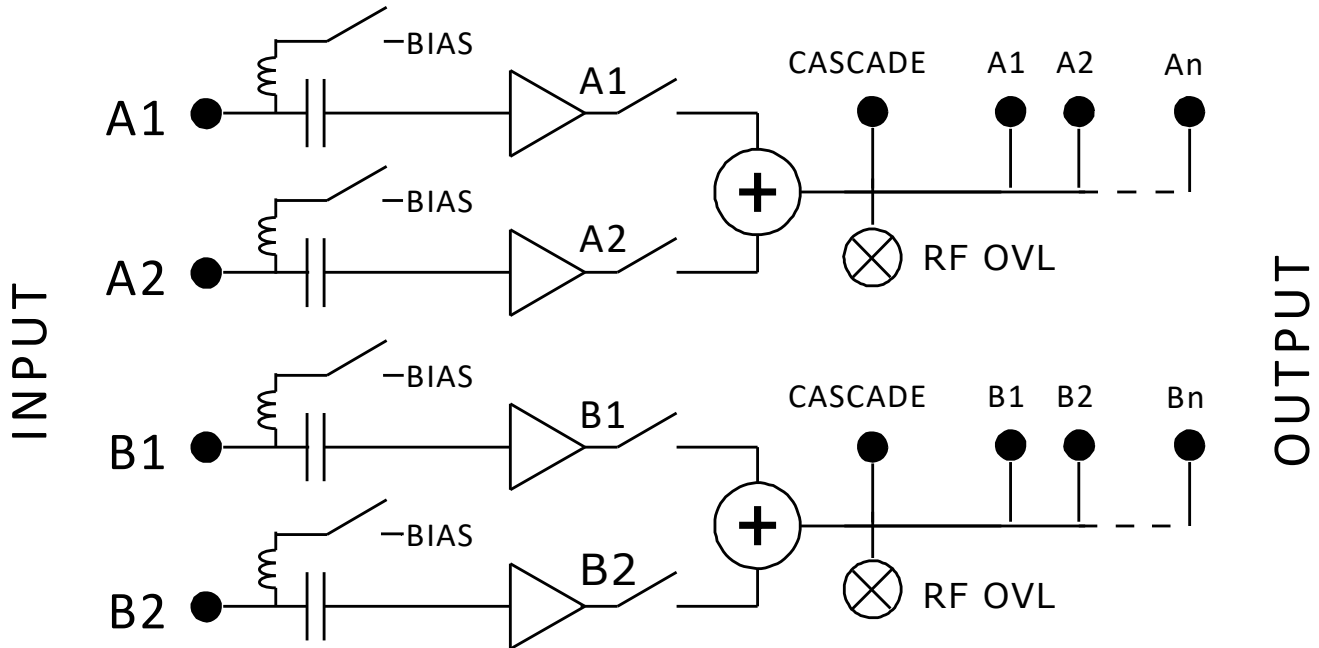




SPL2216/SPL2208 is an **active** combiner/splitter: **2 x 2 (diversity) input** are combined and then distributed in **16 x 2 diversity outputs** (for SPL2216) or **8 x 2 diversity outputs** (for SPL2208). It allows a basic matrix-selection between 2 diversity areas: *each input feed can be activated with a button on the front panel.*




It provides antenna bias & diagnostic check and integrates the **Wisycom Remote Antenna Protocol**: using the same coaxial cable it creates a network to monitor and control remotely boosters (BFA) or antennas (LFA). Thanks to the ethernet interface all of these functionalities can be supported on the PC using the Wisycom Wireless Manager program.

MAIN FEATURES

- Wideband: 170-1260 MHz
- High Rf robustness and linearity: for high density/equally spaced frequencies operations (i.e. with MTP40s Linear)
- Able to feed 16 diversity receivers (for SPL216), 8 diversity receiver (for SPL2208)
- Combine/Select signal from 4 antenna inputs
- Redundant DC supply and antennas diagnostic features
- Wisycom Remote Antenna Protocol to control antennas/booster remotely thru coax
- Ethernet interface to access all of feature with a PC, making presets and real time monitoring
- Cascade output to connect another SPL2216/SPL2208 or monitor devices

Technical Data

Frequency ranges	170 ÷ 1260 MHz
Input/output gain	+5dB approx.
Input/cascade gain	+1.5dB approx.
Amplifier linearity	± 1 dB (typical)
Noise figure	7,5 dB
Antenna booster powering	+12Vcc / 500mA MAX (for each BNC-female input connector A & B)
Connector	input: 2+2 BNC-F output: 16+16 BNC-F (SPL2216) 8+8 BNC-F (SPL2208) cascade: 2 BNC-F
Impedance	50 Ω
Managing interface	10/100 Base TX Ethernet port and thru frontal tactile buttons
Power supply	10÷ 28 Vdc, 5A max, redundant DC Vdc1 and Vdc2 on XLR M-4pin
	 <ul style="list-style-type: none"> 1: -Vdc1 2: +Vdc2 3: -Vdc2 4: +Vdc1
Power consumption	40W max
Temperature range	-25 ÷ +55 °C
Material	aluminum
Finishing	black varnish
Dimensions	44 x 483 x 351 mm (HxWxD)
Weight	3 kg

