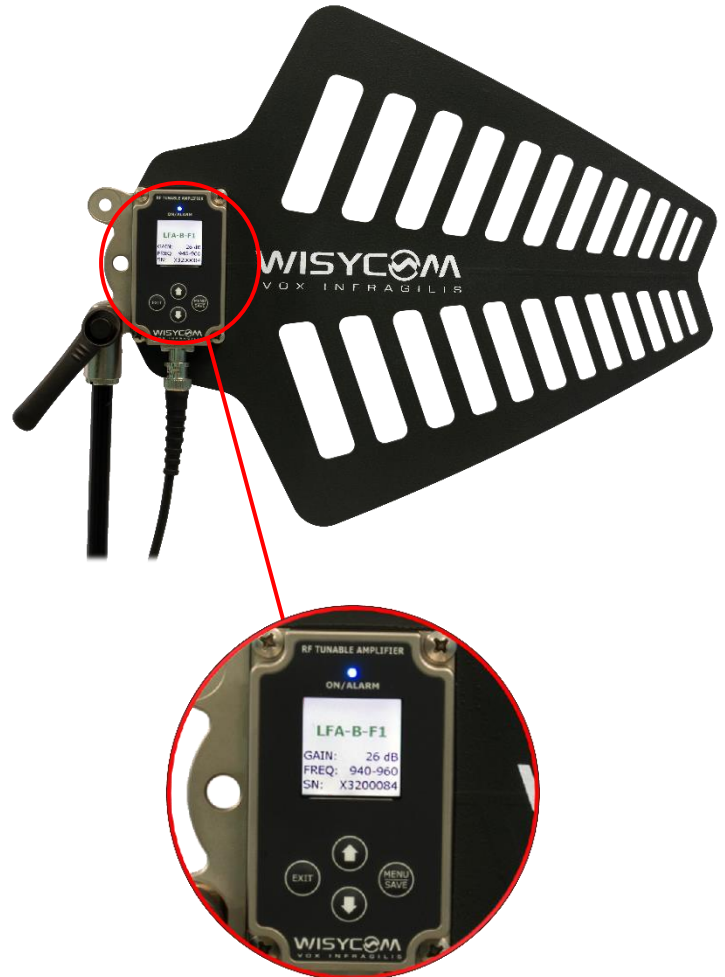


LFA is a directional antenna with a unique design to achieve an ultra-wideband of 410 -1300 MHz, a compact and rugged form factor and a reduce wind resistance.

LFA integrate a unique bank of filters along with a low noise amplifier. Filters and gain can be easily setup locally thru a 4 key navigation buttons and a TFT display or remotely with a data connection on the same RF coaxial cable.

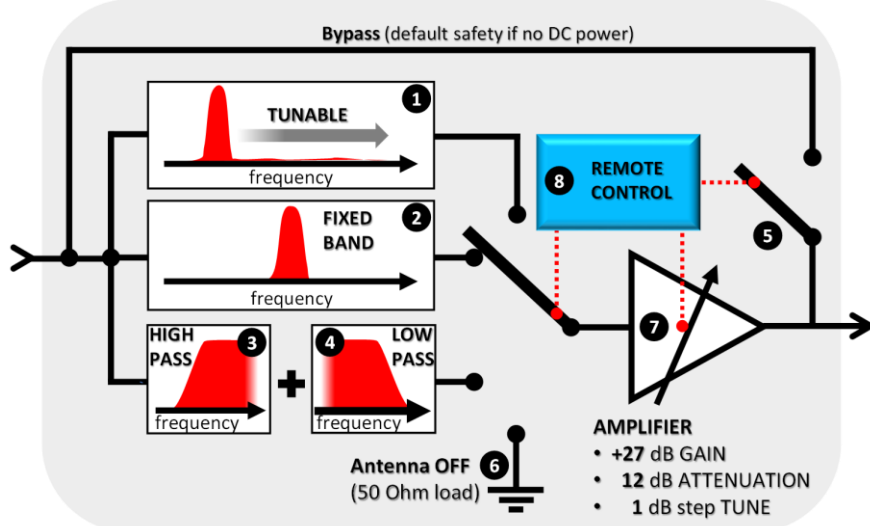
Using the latest Wisycom filter technology, LFA gives a full control of RF zones and allows to build flexible and remote controllable antenna systems.



Key Features

- | | |
|---|---|
| ✓ Huge reception band: 410-1300 MHz | ✓ Remote controllable thru coax cable |
| ✓ RF gain from -12 to +27 dBu (1 dB step) | ✓ Easy configuration thru a TFT display |
| ✓ Tunable filter for interference control | ✓ Antenna off for RF zone disabling |
| ✓ Fixed band saw filter | ✓ Skeletal design for low wind loading |
| ✓ 3 High Pass & 3 Low Pass filters | ✓ Waterproof with gasket sealing |

ULTRA-WIDEBAND BOOSTER with SELECTABLE FILTERS



- 1 Tunable filter 410-730 (40 MHz wide)
- 2 Fixed band saw filter: 940-960 MHz (Usa) or 1240-1260 (Japan)
- 3 High pass filter (410/470/510 MHz) and low pass filter (600/700/810 MHz) CASCADE (9 bandpass combinations)
- 5 Bypass line for full band reception (active mode if no DC power for safety)
- 6 Antenna off for zone control
- 7 Gain control from -12 dB to 27 dB
- 8 Remote control with a data link running on coaxial cable

SPECIFICATIONS

Antenna

- Gain: 7dBi typical
- 3-dB beam-width: horizontal plane 120° – vertical plane 90°
- Front to back ratio: 10dB @ 870MHz
- Bandwidth: 410÷1300 MHz
- Polarization: vertical

Booster1 • Control: display menu or remote thru coaxial cable

- Gain: -12÷27 dB typical (1 dB step selection)
- Gain flatness: +/-1 dB
- Powering: +12 Vdc / 100mA
- Full bandwidth Bypass (0.8dB attenuation) and RF OFF function

FILTER

- Tunable: 410 ÷ 730 MHz (UHF), 40MHz of BW
- Fixed: 940 ÷ 960 MHz or 1240 ÷ 1260MHz
- Selectable band pass filter: HP 410/470/510 MHz, LP 600/700/810 MHz (other see filter option)

Mechanical

- Connectors: BNC-F (LFA-B), N-F (LFA-N)
- Display: TFT – transfective (176 x 176 pixels, RGB)
- Body Material: Epoxy fiberglass with skeletal design
- Finishing: Black matte textured weather resistance coating
- Mounting: 5/4" & 3/8" thread (metal support and mounting base)
- Weight: 550 g
- Size: 335 mm(L) x 276 mm(H) x 61 mm(D)

VARIANTS

LFA-<Connector>-<FilterOption>

<Connector>

- B** BNC female connector
- N** N female connector

<FilterOption>: Selectable Filter • Fixed Filter:

- F1** TUN:410-730MHz • HP: 410/470/510 MHz + LP: 600/700/810 MH • 940 ÷ 960 MHz (Europe/Usa)
- F2** TUN:410-730MHz • HP: 470/520/550 MHz + LP: 617/663/698 MH • 940 ÷ 960 MHz (Europe/Usa)
- F3** TUN:410-730MHz • HP: 410/470/510 MHz + LP: 600/714/810 MH • 1240 ÷ 1260MHz (for Japan)