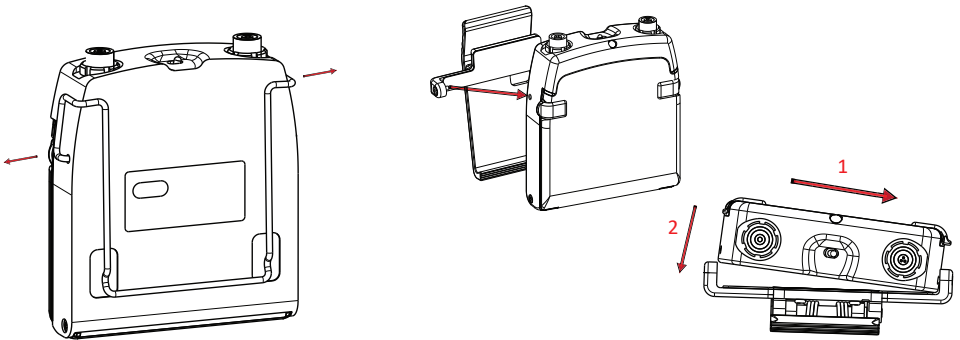
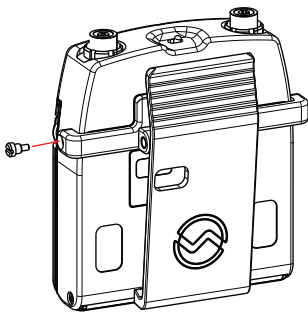


- 1 MTP40/MTP40S
- 2 Belt clip
- 3 Screw
- 4 Spare screw (code: VBCL40-K10)
- 5 Prepare a flathead screwdriver max 0,6x3,5 - NOT SUPPLIED

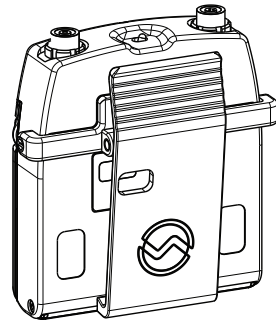


A. Remove clip from MPRxx, pulling outwards both ends with pliers. Be careful not to scratch the case

B. Insert the fixed pin of the belt clip in the hole in the case and apply gentle force to position it correctly



C. Insert the screw and push it lightly until the pin enters the hole



D. Screw in using the screwdriver.