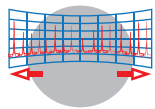


The Wisycom MTK982 is a versatile dual wideband, stereo IEM/IFB transmitter. The MTK982 provides the highest audio quality, extremely low spurious emissions, and is capable of generating multiple types of RF modulations.



**Wideband RF
Technology**

Provides the widest switching bandwidth available, up 330 MHz range to find the best frequency, anywhere in the world.



**NB/WB
SW selectable**

Stereo, mono, intercom audio modulations



DIGICOM Multi-Brand Compatibility - This software enables the use of third-party receivers with Wisycom transmitter

OTHER FEATURES

- 330 MHz Bandwidth
- Direct Digital Synthesis (DDS) of signal for the highest flexibility and quality
- Stereo, mono, intercom audio modulation
- DSP audio processing (40bit floating point / 2Gflops) with multi-companding
- Low interference output stage with isolators
- 2400 user-defined frequencies (40 groups by 60 channels)
- Analogue & digital input (AES3)
- Output power up to 2 Watt
- Redundant power supply 230/110 Vac & 12 VDC (DC option)
- SWR (Standing Wave Ratio) sensing on antenna outputs
- RF auxiliary outputs for isofrequency transmission (equipped by standard configuration)

CONFIGURATIONS

FREQUENCY RANGE

EU 470-760 MHz, max 50 mW, Europe

EUX 470-760 MHz, max 2 Watt, Europe

JP3 1240-1260 MHz, max 50 mW, Japan

JP1 470-714 MHz, max 10 mW, Japan

US 470-608 MHz, max 250 mW
614-663 MHz, max 20 mW, USA

US-STL 470-608 MHz, max 250 mW
614-663 MHz, max 20 mW,
940-960 MHz, max 1 Watt, USA

FREQUENCY RANGE

MX 448-608 MHz, max 2 Watt, Mexico

CA 470-608 MHz, max 250 mW
614-663 MHz, max 20 mW, Canada

AU 520-694 MHz, max 100 mW, Australia

NZ 502-606 + 622-698 MHz, max 500 mW, New Zealand

POWER SUPPLY OPTION

DC 10÷28 Vdc 6A MAX on XLR-4M

ACCESSORIES & RELATED



Item: CAL-x
Power supply cable with
CAL-EU: Shuko plug 10A 250V 1,8mt
CAL-UK: UK plug 10A 250V 1,8mt
CAL-US: USA plug 10A 250V 1,8mt



Item: CABB03
Antenna Cable: 30cm with BNC-M/
BNC-M connectors 50Ω



Item: ADB2/ADN2
Omnidirection Wide-band antenna
410-960 MHz



Item: LNN2/LBN2
Directive Wide-band Active antenna
470-1260 MHz



Item: BFLT1/BFLR1
Single Laser RF over Fiber transmitter/
receiver with selectable filter and
high power Bluetooth long range



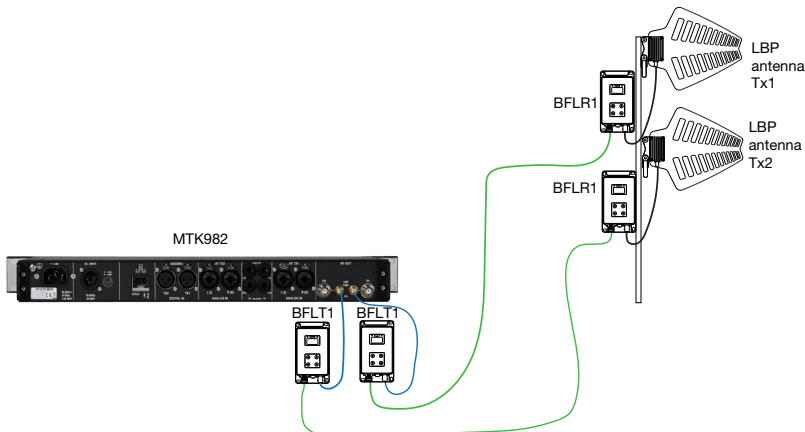
Item: BFLT2/BFLR2 Dual Laser
RF over Fiber transmitter/ receiver
with selectable filter, antenna control
(LFA type), SFP socket and high power
Remote control interface



Item: AL1265XF
AC/DC Power Supply with XLR-F
4-pin connector
Input: 90 ÷ 264 Vac
Output: 12V/5.8A

TRANSMISSION FIBER LINK (IFB mode)

Connecting MTK982 auxiliary outputs from BFLT1 modules linked over fiber to 2 BFLR1 modules for transmitting two signals to a remote area.



TECHNICAL SPECIFICATIONS

RF SPECIFICATIONS	Frequency ranges	from 430 to 1260 Mhz, depends on the country (see Configurations)	
	Switchable channels	2400 managed in 40 groups of 60 channels completely user customizable	
	Switching-window	330 MHz tuneable	
	Frequencies	5 kHz steps	
	RF Power	switchable typ. 10,20,30,50,75,100,150,200,250,400,500,750,1000,1200,1500,2000 mW (ERP) NOTE: RF power can be limited on frequency base accordingly to specific country restrictions	
	Max RF output power	2 Watt [NOTE] RF power can be limited on frequency base accordingly to specific country restrictions	
	Antenna connector	2 x BNC type female connectors	
	Auxiliary RF connector	2 x SMA type female connectors	
	RF impedance	50 Ω	
	Modulation	FM, MPX Stereo or mono, selectable with dedicated menu	
	Peak deviation	±56 kHz for mono wideband, ±35 kHz for mono narrowband, ±48 kHz for stereo (preset mode)	
	MPX Pilot tone	19kHz	
	AUDIO SPECIFICATIONS	Tone squelch	32.789Hz (for Wisycom wireless microphone) 131,8 (for Wisycom intercom, i.e. NR) NOTE: custom setting can change the Tone squelch (30-260Hz and 18-38KHz)
Spurious emissions		< 2 nW	
Noise Reduction system		ENS , ENR, ENC NONE-d50, no compander, pre-emphasis 50 μs NR, to work with Wisycom Intercom system Other compander on request	
AF bandwidth		20÷20kHz (mono) 30÷15kHz (stereo) NOTE: custom setting can change audio bandwidth (3/4/12/15/20kHz)	
Audio input connector		XLR-3 / 1/4" (6,3mm) jack combo socket, electronically balanced	
Audio input level		+18dBu	
Pin Assignments		XLR: 1=ground 2=hot 3 =cold 6.35mm (1/4") TRS: Tip=hot Ring=cold Sleeve=ground	
Digital output		AES3 on XLR-3M (32kHz ÷ 108 kHz)	
Monitor output		6.35mm (1/4") jack socket, balanced	
Monitor output level		120+120mW@24Ω , 80+80mW@150Ω	
Monitor out impedance		25Ω for auricle	
Managing interface		10/100 Base TX Ethernet port on RJ45 connector	
Display		64 x 256 OLED (white)	
OTHERS		Power supply	90 - 264 V AC, 47/63 Hz
		DC options	10-28 Vdc, 6A max
	Temperature range	-10 ÷ +55 °C	
	Dimensions	19"/1U 43.8 x 483 x 349 mm (HxWxD) with brackets	
	Weight	4 Kg approx.	

